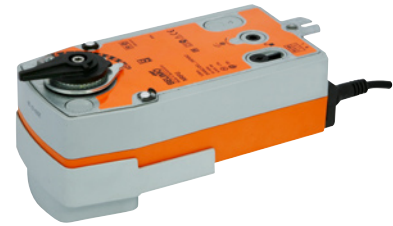


- Mechanical Fail-Safe Rotary Actuators: for 2 way ball valves DN50  
for 3 way ball valves DN32...50
- Torque: 10Nm
- Modulating control: NRFU24-SR (AC/DC 24V)
- Open/Close control: NRFU, NRFU-S2 (AC 24...240V)  
(DC 24...125V)



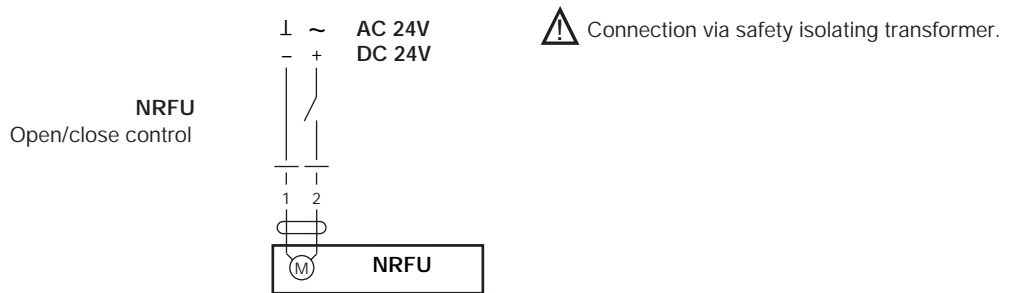
## Technical data

Basic technical data		Connection cable	3x1m, 0.75mm <sup>2</sup> (NRFU..) 4x1m, 0.75mm <sup>2</sup> (NRFU24-SR)
		Torque	Motor: 10Nm; Spring return: 10Nm
		Angle of rotation	90°
		Sound power level	Motor: Max. 50dB(A), Spring return: ~62dB(A)
		Position indication	Mechanical
		Degree of protection	IP54
		EMC	CE according to 2004/108/EC
		Ambient temperature	-30...+50°C
		Non-operating temperature	-40...+80°C
		Temperature of medium	-5...+100°C
		Humidity test	To EN 60730-1
		Maintenance	Maintenance-free
		Manual operation	By manual override key
		Lingage	Lingage included in NRFU..
NRFU24-SR		Power supply range	AC 19.2...28.8V; DC 21.6...26.4V
		Power consumption	5.5W @ running / 3W @ holding
		Transformer sizing	9VA
		Control signal	DC2(0)...10V @ 100kΩ input impedance
		Feedback signal	DC2...10V
NRFU		Protection class	III (safety low voltage)
		Running time	Motor: 150s; spring return: <20s (-5...+50°C) / Max. 60s (-30°C)
		Weight	Approx. 2000g
		Power supply range	AC 19.2...264V; DC 20.4...126.5V
		Power consumption	6W @ running / 2.5W @ holding
NRFU-S2		Transformer sizing	9.5VA
		Direction of rotation	Motor: Reversible by L/R switch; Spring return: reversible by mounting L/R
		Protection class	III (safety low voltage)
		Running time	Motor: <75s; Spring return: ~20s (-20...+50°C) / Max. 60s (-30°C)
		Weight	Approx. 1700g
		Power supply range	AC 19.2...264V; DC 21.6...143V
		Power consumption	6W @ running / 2.5W @ holding
		Transformer sizing	9.5VA
		Direction of rotation	Spring return: reversible by mounting L/R
		Auxiliary switch	2 X SPDT, 1 mA ...3(0.5) A, AC 250 V <input type="checkbox"/> one fixed at 10° <math>\leftarrow</math>, one adjustable 10°...95° <math>\leftarrow</math>
	Low voltage directive	CE according to 2006/95/EC	
	Protection class	II (Totally insulated) <input type="checkbox"/>	
	Running time	Motor: <75s; Spring return: ~20s (-20...+50°C) / Max. 60s (-30°C)	
	Weight	Approx. 1700g	

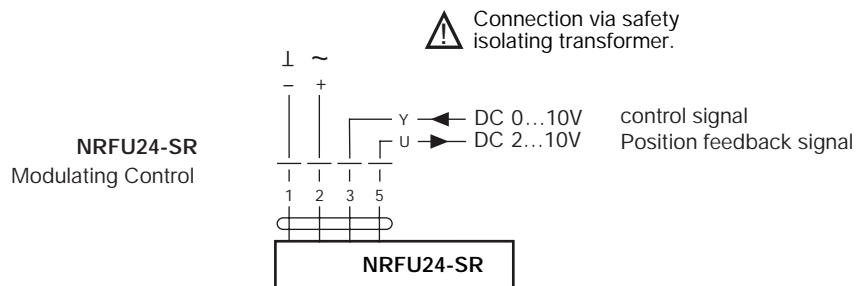
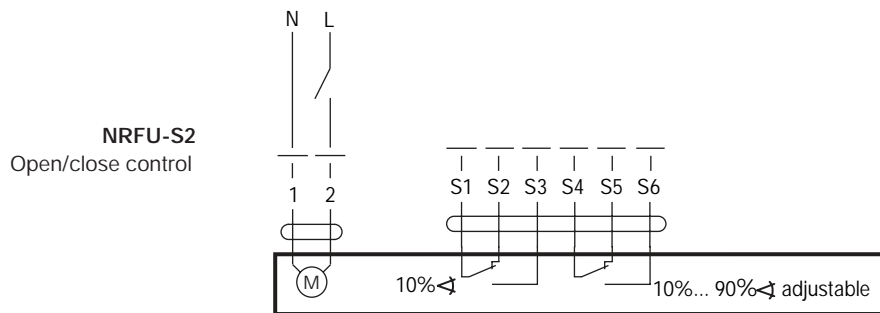
## Product features

- Simple direct mounting** Simple direct mounting on the ball valve using only one screw.
- Manual operation** NRFU..have manual operation with integral position stop. Only when power supply is disconnected for NRFU24-SR.
- High function reliability** The actuator is overload-proof,needs no limit switches,stops automatically at the end stops.

## Wiring

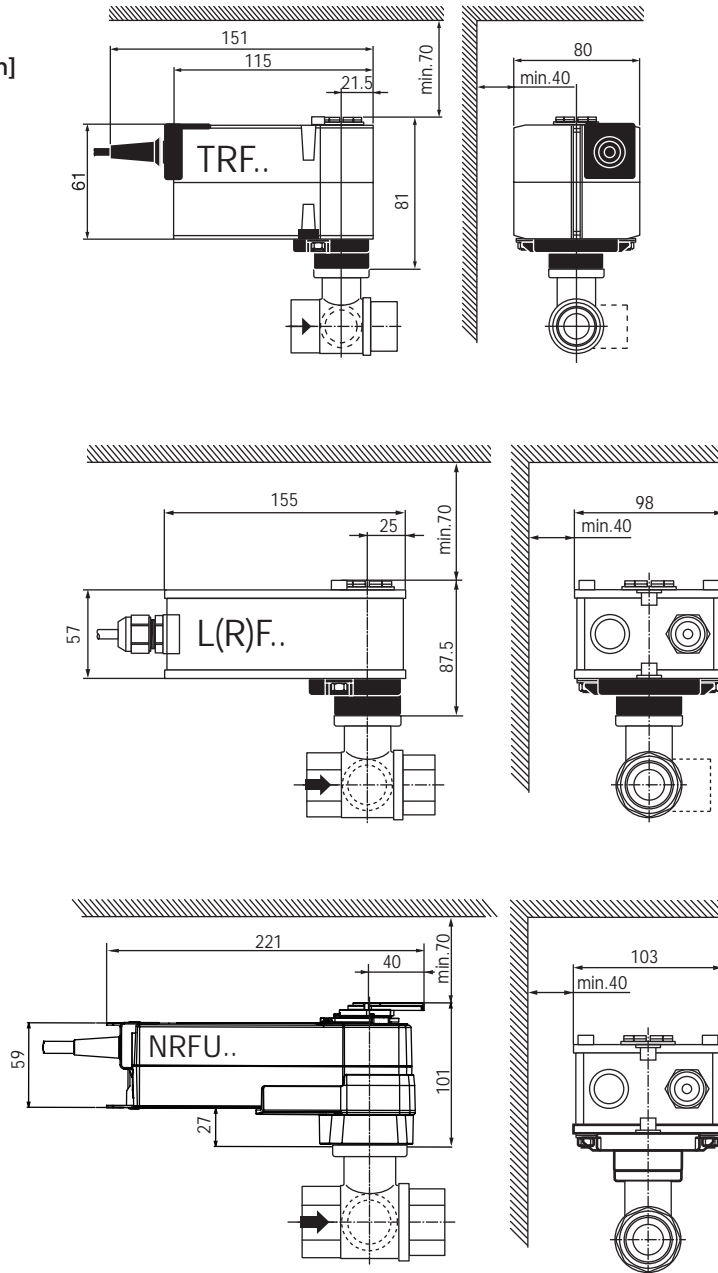


Other actuators can be connected in parallel. Please note the performance data.



Dimensions

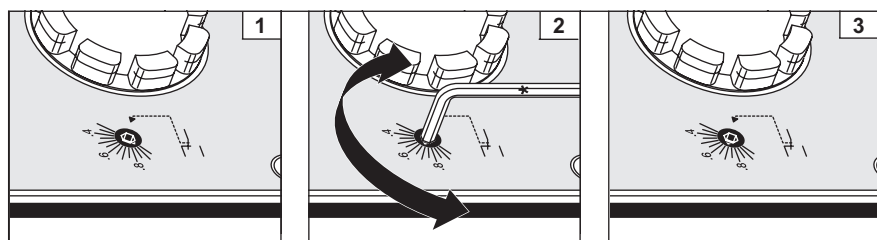
Measurement [mm]



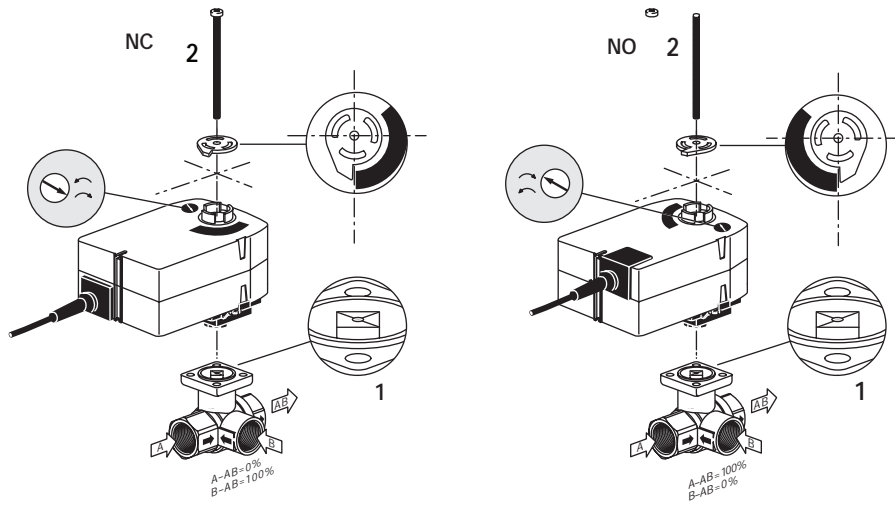
Adjusting A..-S auxiliary switches

Initial situation: Actuator in safety position

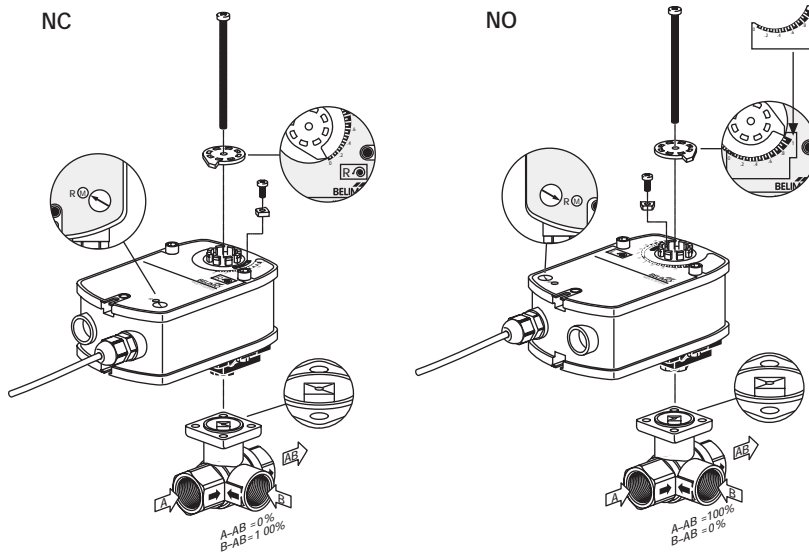
3mm (1/8") hexagonal key not included with the actuator



Installation procedures: TRF..



Installation procedures: LF../LRF..



Installation procedures: NRFU../SRFU..

